



**Antenna Factory, Inc.**

www.antennafactory.com

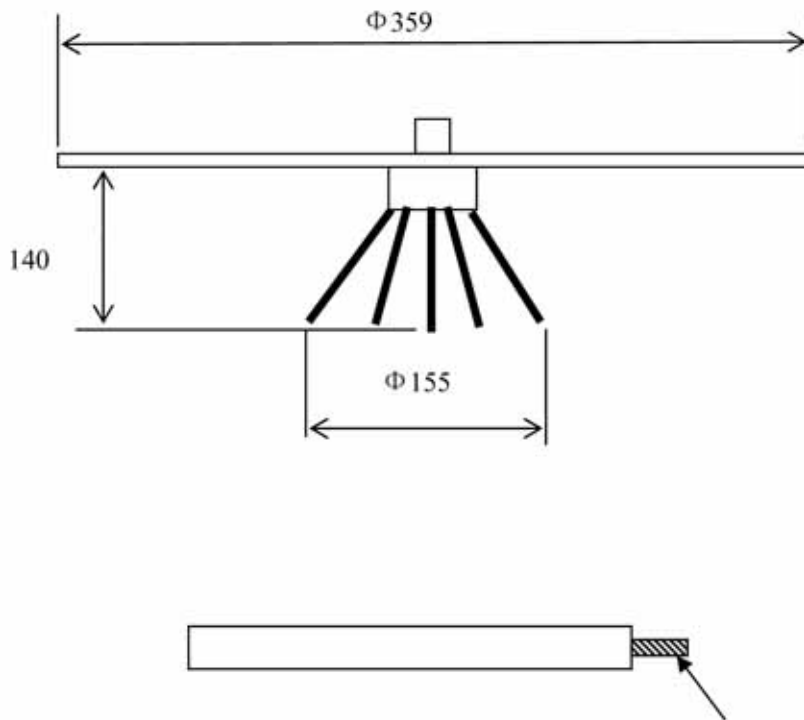
Toll Free: 877-288-9112

**800~2000MHz Discone-type Antenna**

## Technical Specification

Frequency Range	Polarization	VSWR(Typ.)	Connector	Size
800-2000MHz	Linear	2.8:1	N-Female	Φ155 x 140mm

## Outline Drawing



**Antenna Factory, Inc.**

931 Albion Ave

Schaumburg, Il 60193

Toll Free: (877) 288-9112

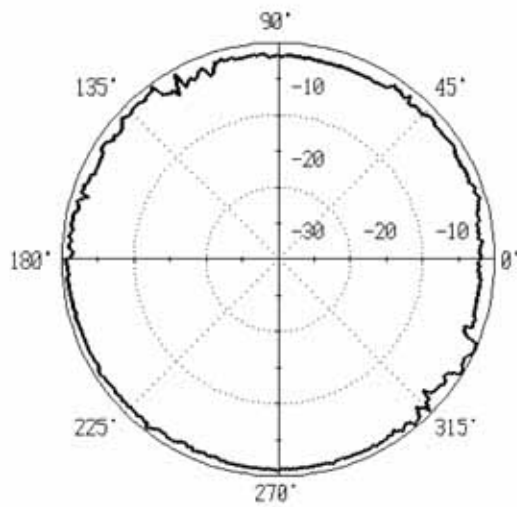
Phone: (312) 242-1727

Fax: (847) 584-9952

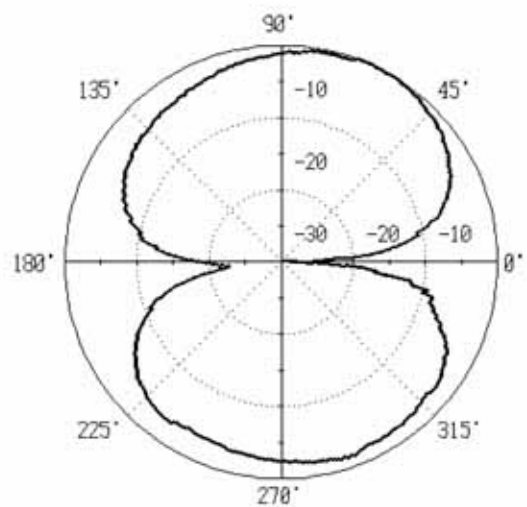
## Test Results

## Pattern

Frequency: 800MHz

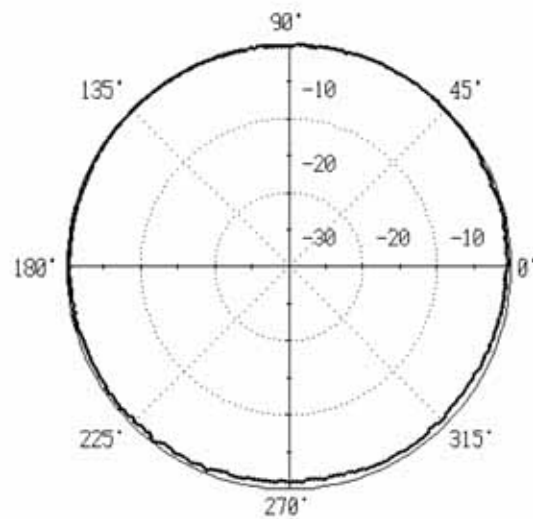


H-Plane

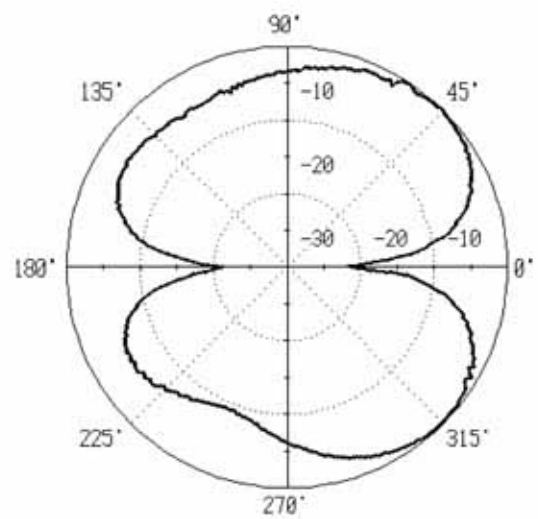


E-Plane

Frequency: 1000MHz

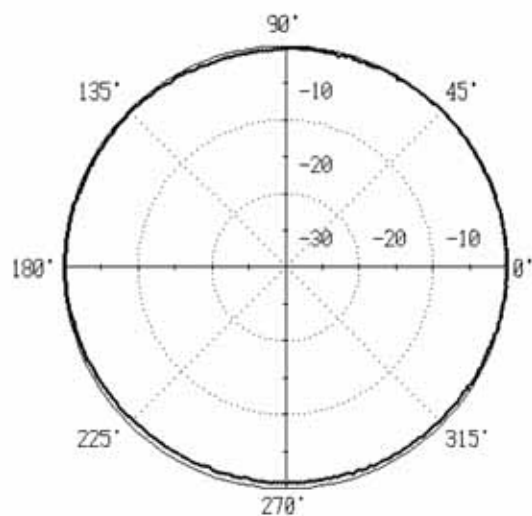


H-Plane

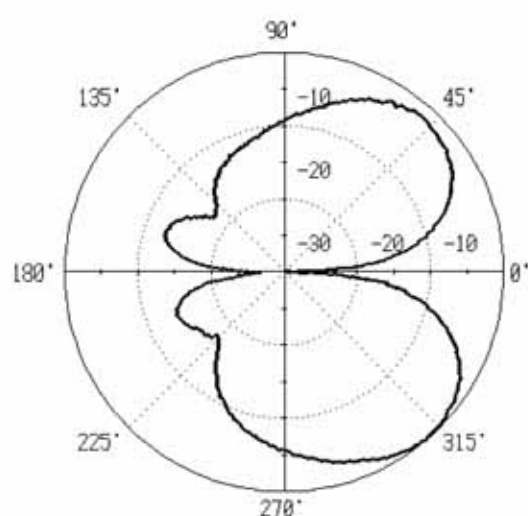


E-Plane

Frequency: 1500MHz

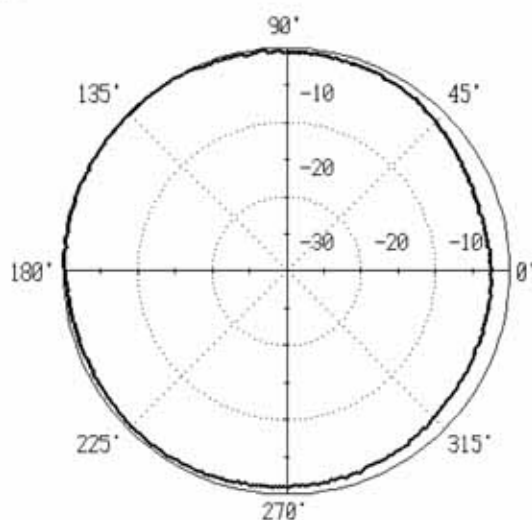


H-Plane

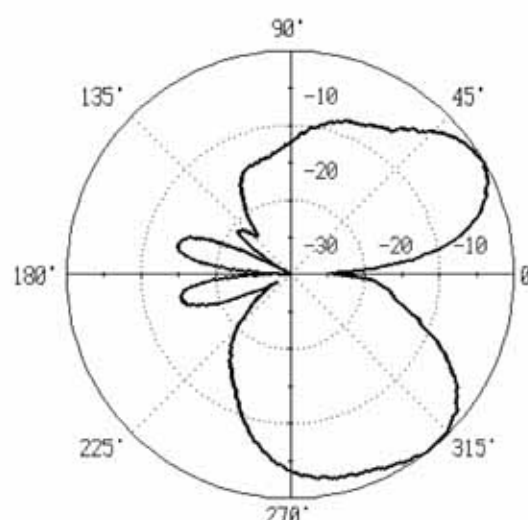


E-Plane

Frequency: 2000MHz



H-Plane



E-Plane