



**Antenna Factory, Inc.**

www.antennafactory.com

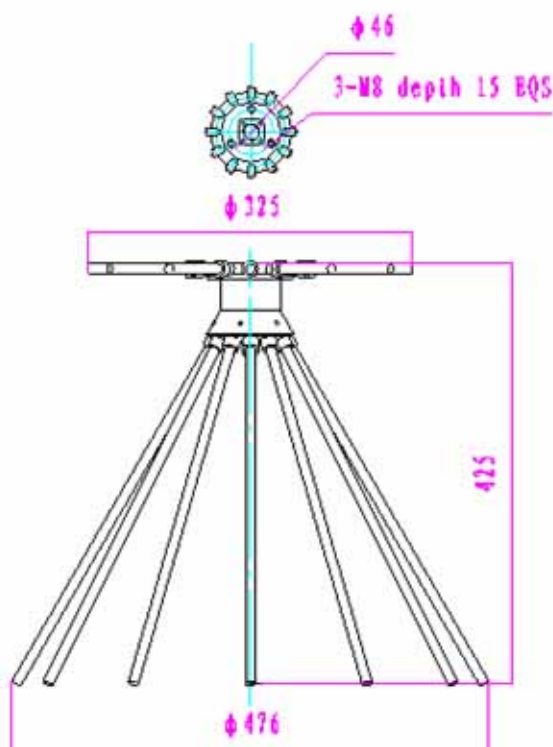
Toll Free: 877-288-9112

**0.25~1.0GHz Discone-type Antenna**

## Technical Specification

Frequency Range	Polarization	VSWR(Typ.)	Connector	Size
0.25-1.0GHz	Vertical	2.5:1	N-Female	Φ476 x 425mm

## Outline Drawing



**Antenna Factory, Inc.**

931 Albion Ave

Schaumburg, Il 60193

Toll Free: (877) 288-9112

Phone: (312) 242-1727

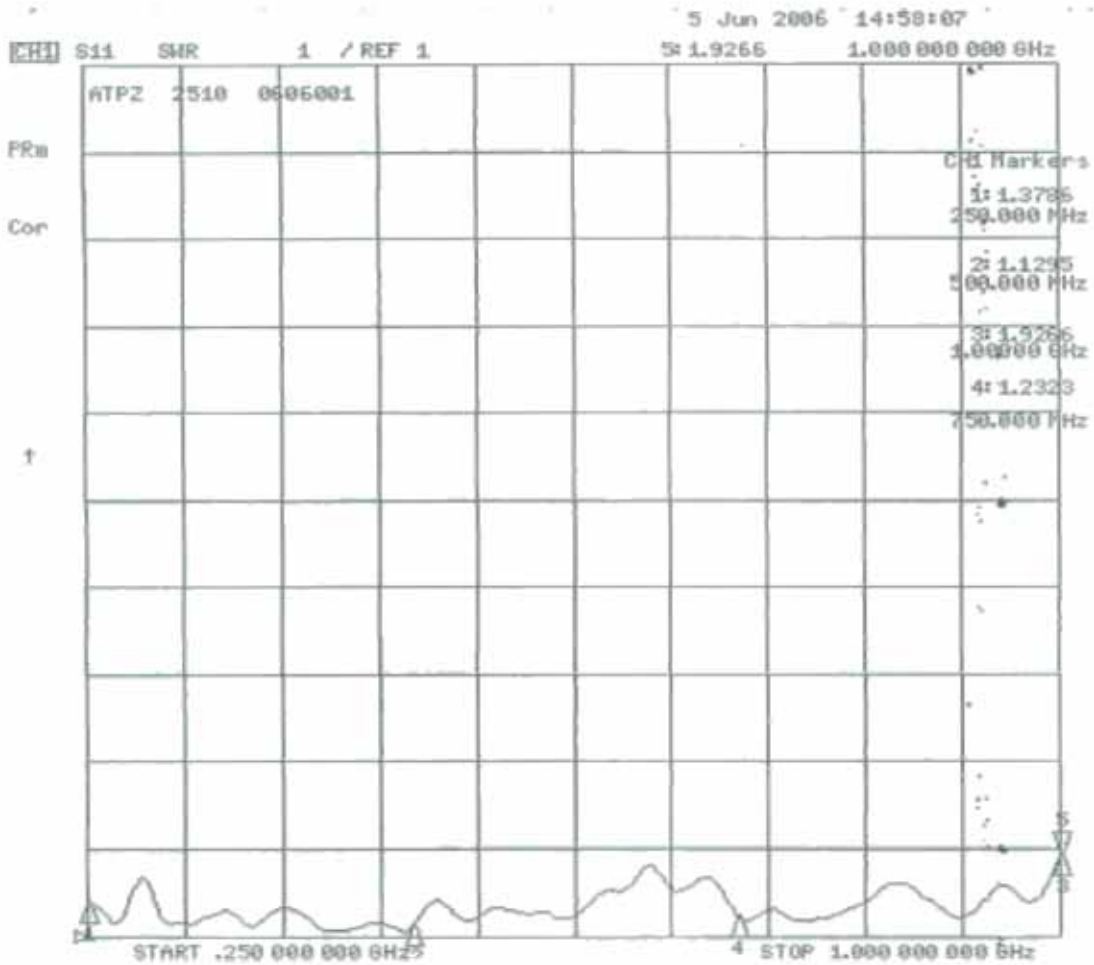
Fax: (847) 584-9952

## Test Instruments

- > AV1487B
- > HP8592L
- > HP8720D

## Test Results

### 1. VSWR

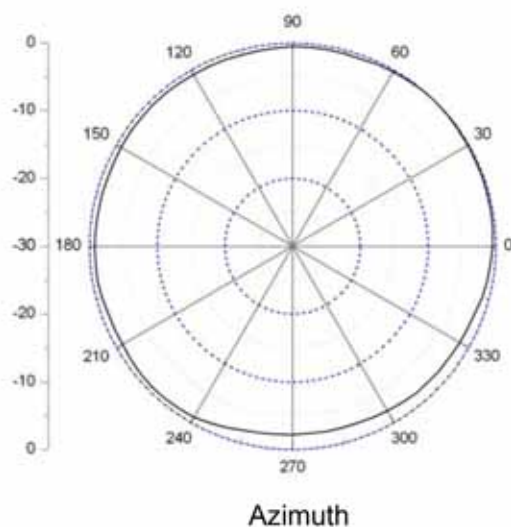


**Antenna Factory, Inc.**  
 931 Albion Ave  
 Schaumburg, IL 60193

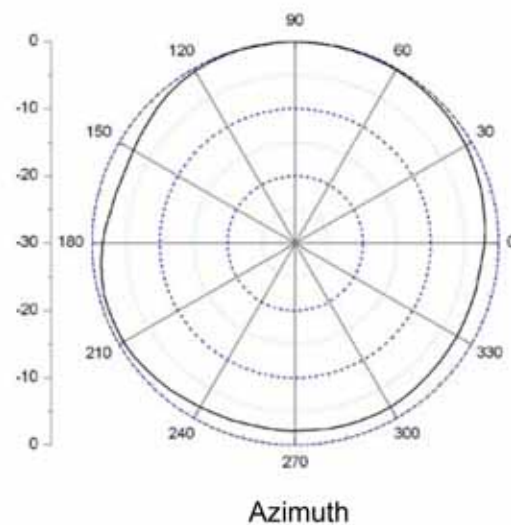
Toll Free: (877) 288-9112  
 Phone: (312) 242-1727  
 Fax: (847) 584-9952

**3. Pattern**

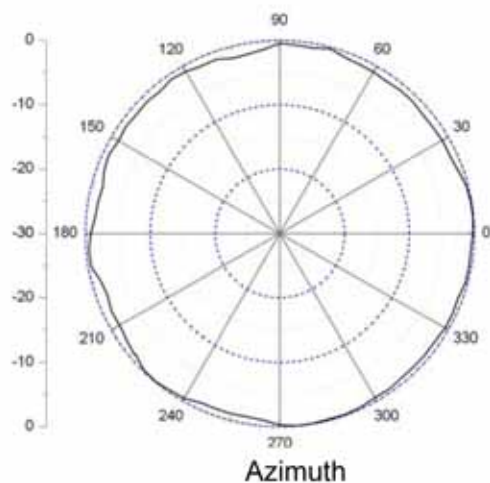
Frequency: 250MHz



Frequency: 500MHz



Frequency: 1000MHz



**Antenna Factory, Inc.**  
 931 Albion Ave  
 Schaumburg, Il 60193

Toll Free: (877) 288-9112  
 Phone: (312) 242-1727  
 Fax: (847) 584-9952