



Technical Specification

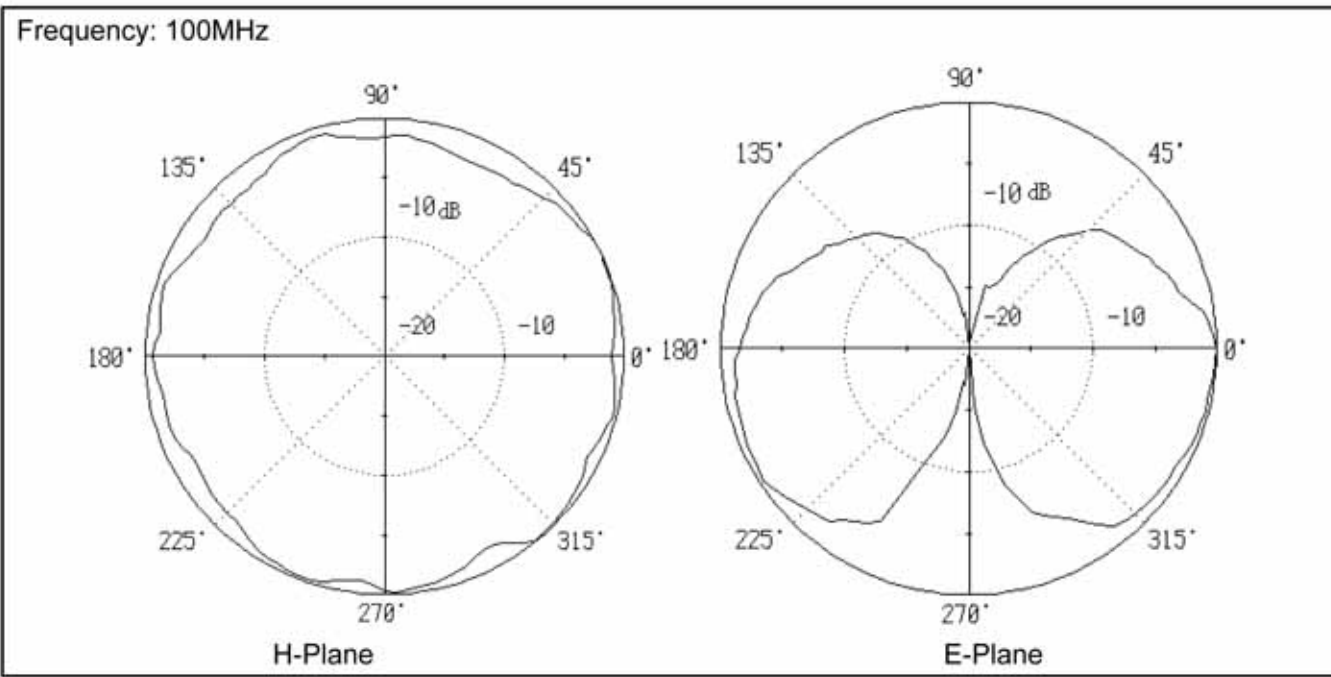
Frequency Range	VSWR(Typ.)	Power CW	Connector	Net Weight	Size
100-400MHz	2.5:1	300W	N-Female	10Kg max	Φ1180 x 920mm

Test Result

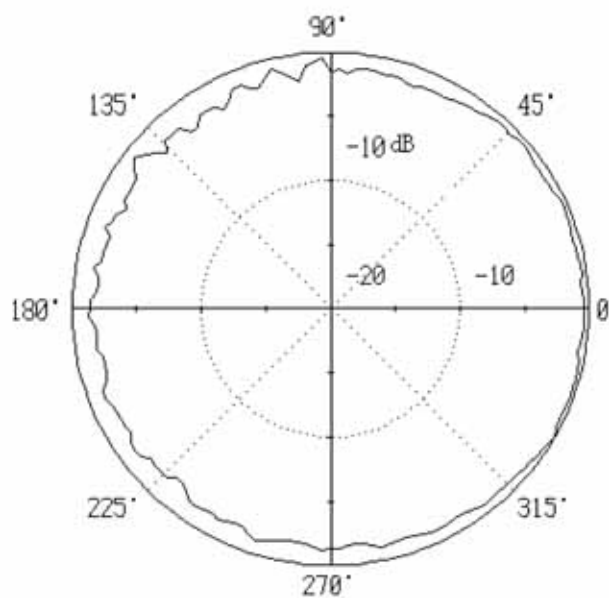
1. Gain

Frequency (MHz)	100	250	400
Gain (dBi)	1.5	1.7	2

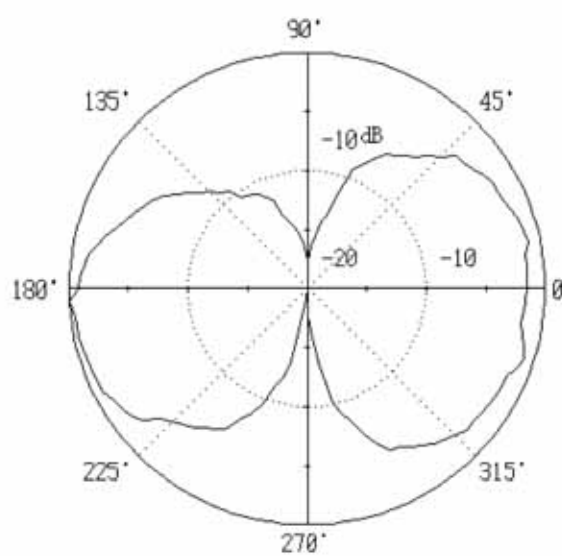
2. Pattern



Frequency: 250MHz

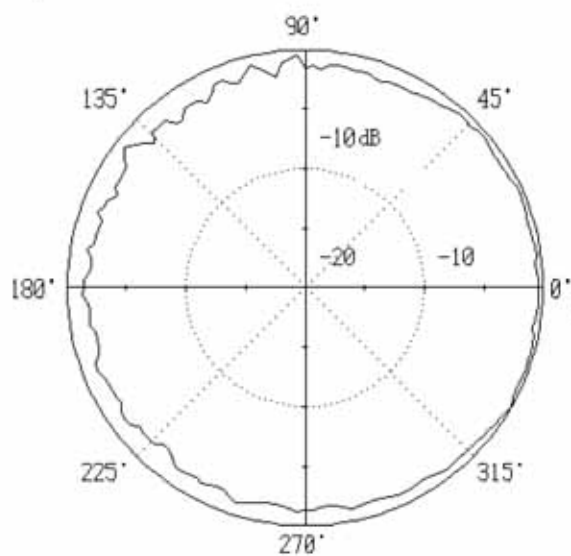


H-Plane

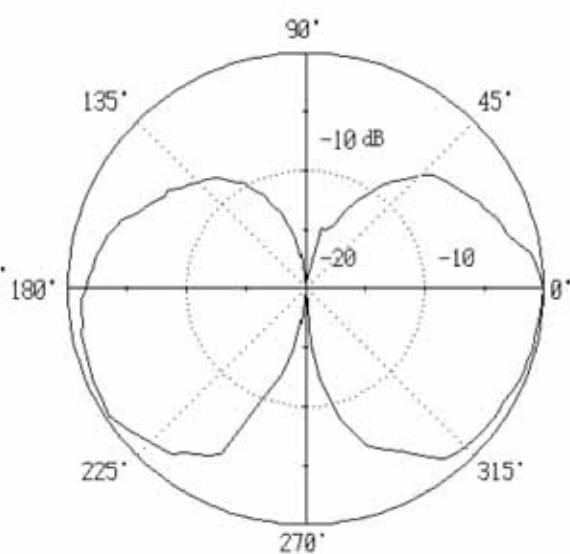


E-Plane

Frequency: 400MHz



H-Plane



E-Plane